

Operating and installation instructions

Pluggit PluggLine design air outlet PL200

TABLE OF CONTENTS

1. GENERAL SAFETY INFORMATION	2
2. GENERAL NOTES	2
2.1. INTENDED USE	2
2.2. UNINTENDED USE	2
2.3. WARRANTY	2
2.4. NOTES ON INSTALLATION	2
3. INSTALLATION	3
3.1. SPECIALISED COMPANY VENTILATION	3
3.2. SPECIALISED COMPANY FLOOR COVERING	4
4. TECHNICAL DATA	6
4.1. PLUGGLINE DESIGNER AIR OUTLET PL200	6
4.1.1. Data	6
4.1.2. Dimensions	6
4.1.3. Pressure drop	6
4.2. DESIGNER COVERS PL201, PL202, PL203	7
4.2.1. Data	7
4.2.2. Dimensions	7
5. DECOMMISSIONING/DISPOSAL	8
5.1. PACKAGING	8
5.2. DECOMMISSIONING	8

1. GENERAL SAFETY INFORMATION

Warning:

The following safety instructions must be observed, since damage and injury may otherwise result:

- Please read these operating and installation instructions carefully before starting to install the PluggLine designer air outlet PL200.
- The installation must be carried out by qualified expert personnel only.
- Damages resulting from inappropriate storage of the product, improper installation or unintended use are excluded from any liability.
- Technical changes reserved.

2. GENERAL NOTES

2.1. INTENDED USE

The PluggLine designer air outlet PL200 is an air outlet for supply air rooms, such as living rooms and bedrooms. It is solely suitable for the installation into the floor.

The PluggLine designer air outlet supplies the room with fresh air. For this purpose, the air supplied to the fresh air unit flows through the PL200 and subsequently rises up into the room.

2.2. UNINTENDED USE

Any use other than that described in "INTENDED USE" shall not be permissible.

Furthermore, the PluggLine designer air outlet PL200 must not be installed in walls and in humid rooms, such as bathroom, toilet or kitchen.

2.3. WARRANTY

In order to preserve your full statutory warranty claim, the technical guidelines in these operating and installation instructions must be observed.

2.4. NOTES ON INSTALLATION

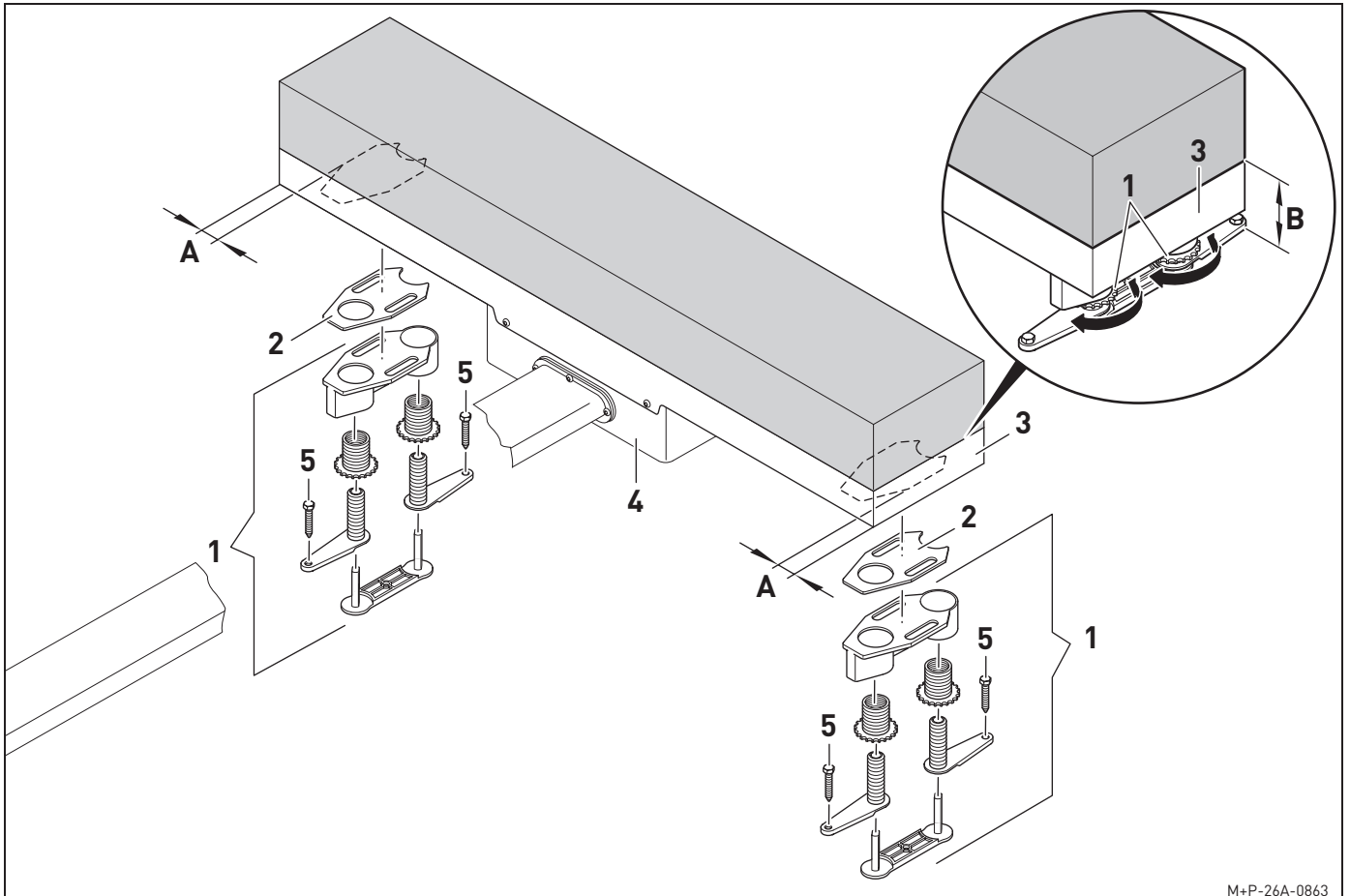
- The outlet is installed into the floor, close to the exterior facade or close to the window or wall respectively.
- Keep a distance of around 150 mm between the PluggLine designer air outlet PL200 and the wall.
- If the PluggLine designer air outlet PL200 shall be installed ahead of the exterior facade, an insulating strip must be placed between the PL200 and the exterior facade.
- The air connection takes place starting from the supply air distributor through a PK150 or PK200 PluggFlex duct.
- The Pluggit PluggLine designer air outlet can be installed on the air outlets PL180B, PL180D, PL230B as well as PL230D.

Warning:

To protect the PluggLine designer air outlet PL200 from staining during the screed laying, the latter must remain closed in the supplied EPS block until the designer covers are installed.

3. INSTALLATION

3.1. SPECIALISED COMPANY VENTILATION



M+P-26A-0863

1. Assemble the adjustable feet (1) in the order as shown.
2. Stick one of the supplied adhesive pads (2) to each of the assembled adjustable feet (1).
3. Stick the adjustable feet (1) centrally to the base tub (3) at a distance of 100 mm to the outer edge (A).
4. Plug the base tub (3) on the air outlet (4).
5. Adjust the top edge of the base tub (3) to the required screed level (B) by turning the adjustable feet (1).
6. Tighten the adjustable feet (1) with screws (5).

Note:

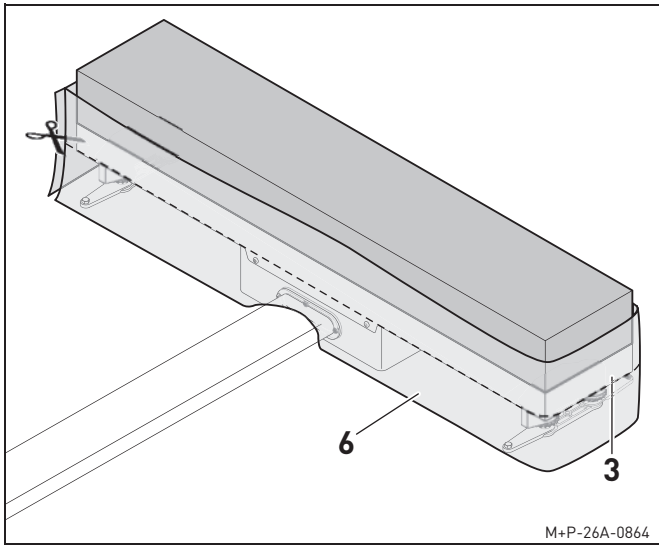
Ensure that the air outlet (4) always rests entirely on the unfinished floor.

Depending on the height of the floor structure, up to three distance frames PL025 can be mounted on the air outlet (4).

If the height still is insufficient, the air outlet (4) needs supporting.

Note:

Check the adjustment of the base tub (3) using a spirit level. The base tub (3) must be horizontally aligned in all directions.

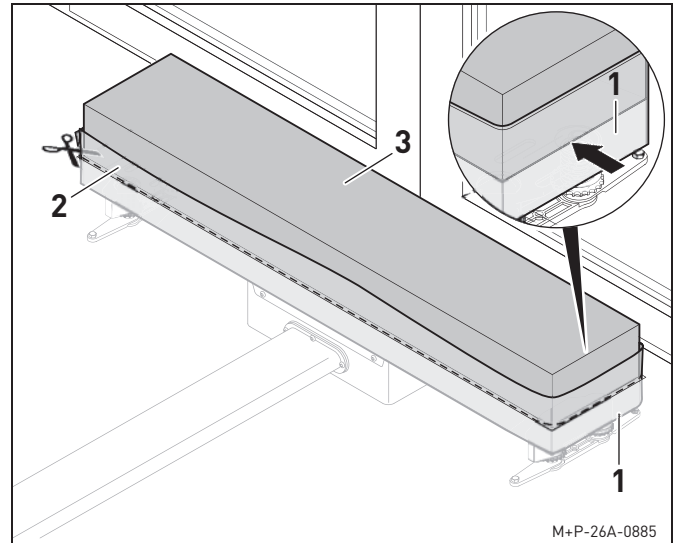


7. If necessary, fit a customary edge insulation strip (6) around the entire base tub (3).
8. Cut off flush the edge insulation strip (6) at the bottom edge of the base tub (3).

Note:

Only use edge insulation strips up to a maximum size of 6 mm.

3.2. SPECIALISED COMPANY FLOOR COVERING

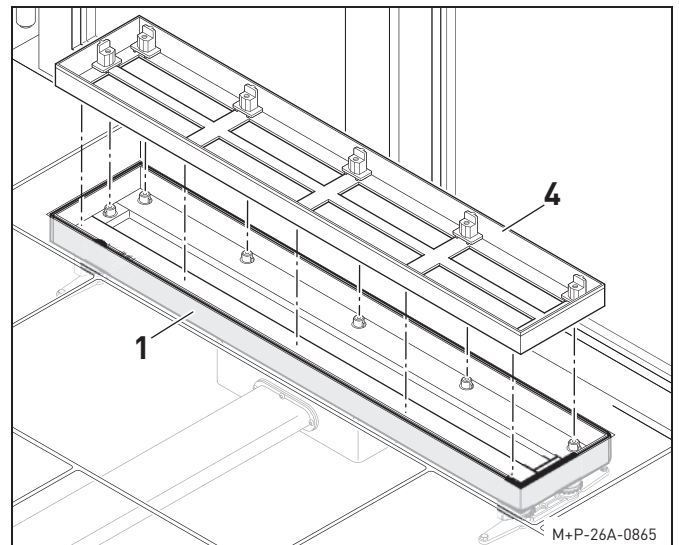


1. Lay screed up to the top edge of the base tub (1) (arrow).

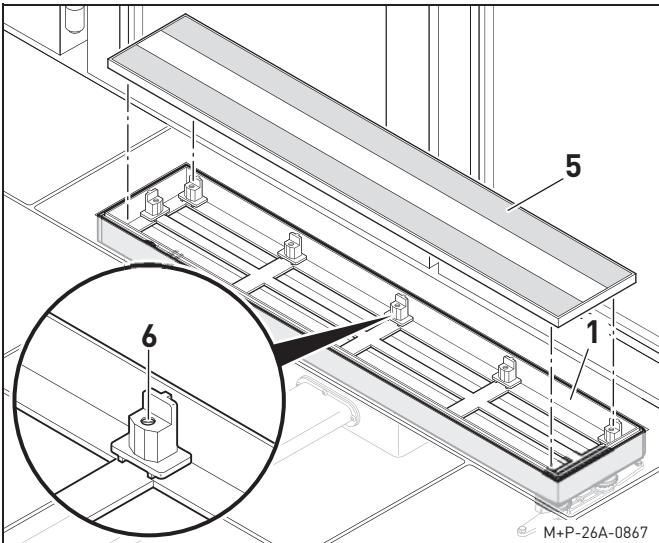
Note:

After installing, the base tub (1) must be safely surrounded by the screed and closed in.

2. If any, cut off the edge insulation strip (2) at the top edge of the base tub (1) after laying the screed.
3. Install the desired floor covering.
4. Remove the EPS block (3) and remove the protective film glued in the base tub (1).



5. Insert the height adjustable frame (4) in the base tub (1).

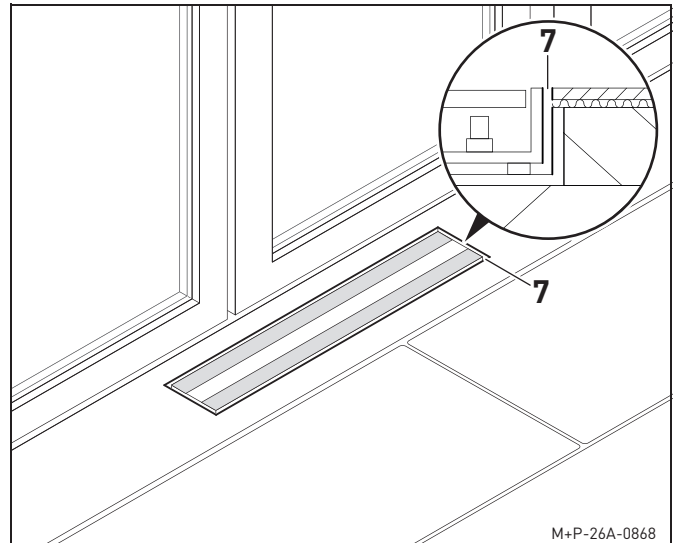


6. Choose desired designer cover (5) and lay the floor covering in the suitable size as necessary.

Note:

If designer covers fitted with floor covering are used, it may be necessary that you slightly adjust the height in the designer cover (5) if need be. You can use tile adhesive for this purpose.

7. Insert designer cover (5) in the height adjustable frame (4) and adjust to the same height as the floor using screws (6) if necessary.



8. Seal the seam (7) between the PluggLine designer air outlet and the floor covering all around using customary silicone.

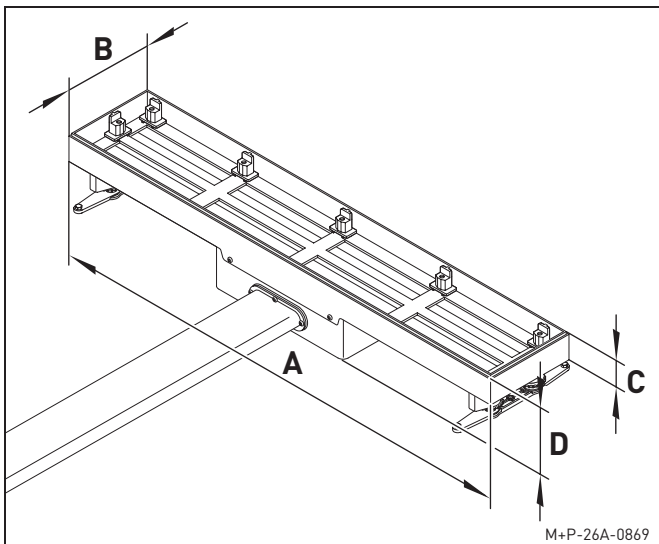
4. TECHNICAL DATA

4.1. PLUGGLINE DESIGNER AIR OUTLET PL200

4.1.1. Data

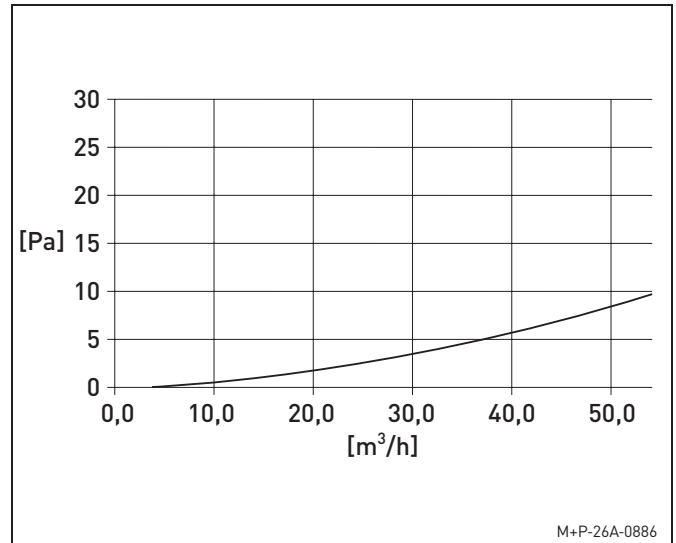
Installation	Floor
Material	Stainless steel, pickled
Air outlet	PL180B, PL180D, PL230B, PL230D
Air connector	PluggFlex duct PK150, PK200

4.1.2. Dimensions



A	Total length	850 mm
B	Total width	140 mm
C	Height base tub	42 mm
D	Minimum total mounting height	135 mm
	Maximum total mounting height	190 mm

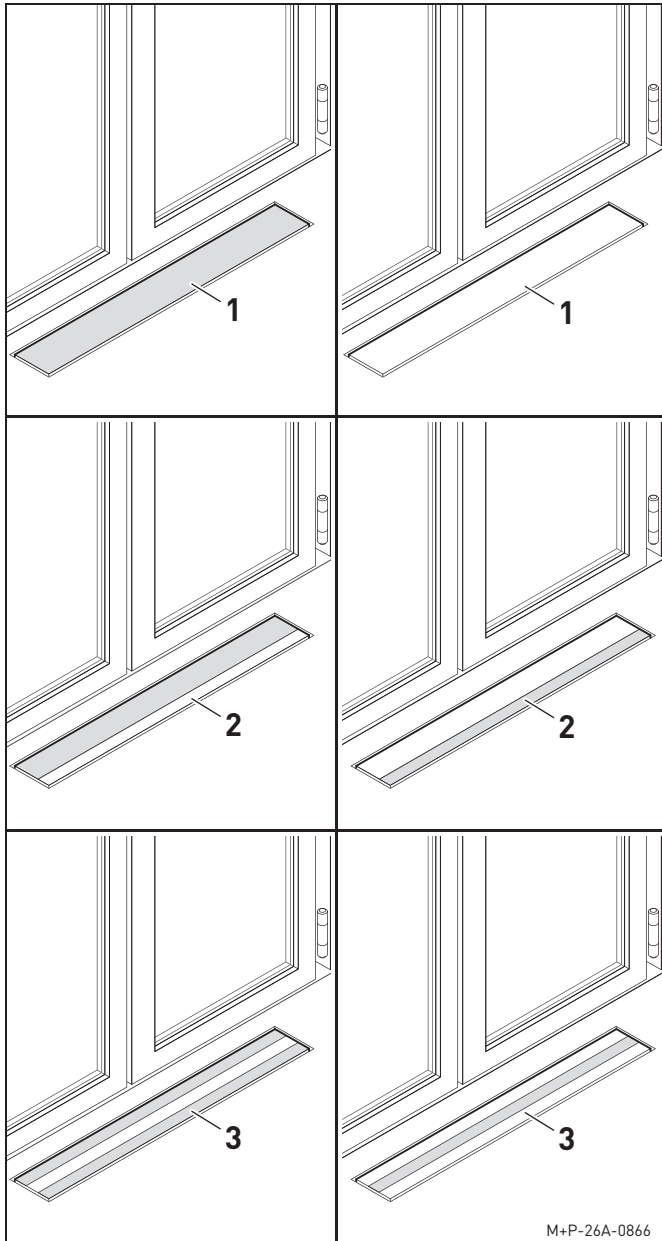
4.1.3. Pressure drop



[Pa] Pressure drop

[m³/h] Volumetric flow rate

4.2. DESIGNER COVERS PL201, PL202, PL203

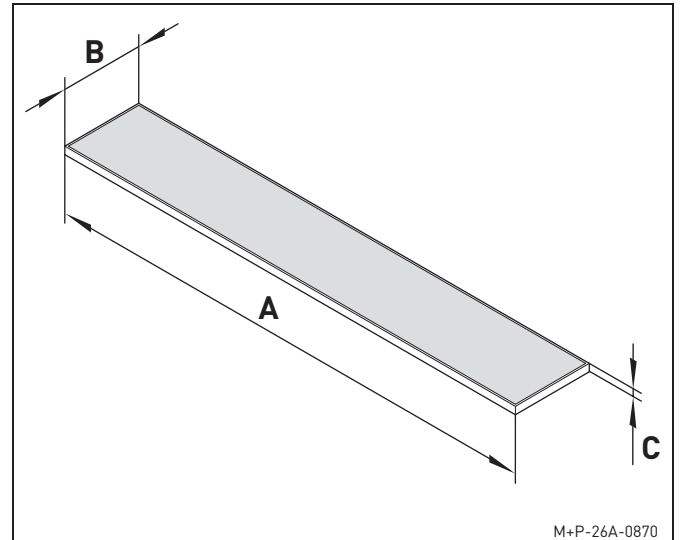


- 1** Designer cover PL201
Stainless steel on the entire surface or floor covering
- 2** Designer cover PL202
One bar stainless steel or floor covering
- 3** Designer cover PL203
Two bars stainless steel or floor covering

4.2.1. Data

Installation	Floor
Material	Stainless steel, brushed

4.2.2. Dimensions



A	Total length	840 mm
B	Total width	120 mm
C	Height	12 mm

	PL201	PL202	PL203
Minimum height floor covering	6 mm		
Maximum height floor covering	22 mm	12 mm	12 mm

5. DECOMMISSIONING/DISPOSAL

5.1. PACKAGING

The transport and protective packaging are usually manufactured from reusable materials.

All packaging material must be disposed of according to local laws and regulations.

5.2. DECOMMISSIONING

The PluggLine designer air outlet PL200 and the designer covers contain valuable materials and substances which should be kept separate from residual waste.

The dismantled PluggLine designer air outlet and the designer covers can be delivered to the local recycling company for recycling.

The technology makes the difference.

Innovations from Pluggit with benefits for humans and the environment.

2Q

A perfectly aligned cross-ventilation is the result of invisible installation under the floor and perfect positioning of the air outlet. The term "Quellluftung" means that fresh air is conveyed into the room almost noiselessly, without interferences, pressure and in the cold months of the year actually preheated.

PluggMar®

Coanda-effect - the fresh air is guided nearly draught-free and silently along the ceiling and distributes itself even in the room.

allfloor

allfloor - in ceilings, walls over and under the concrete and screed - the system design provides maximum flexibility when installing the air ventilation ducts and therefore it is perfect for the application in new buildings as well as for renovation of existing buildings.

ServoFlow

This innovative technology provides a definite required or desired amount of fresh air thanks to a highly sensitive sensor system and control. After installation the system will analyse the installation at the push of a button and automatically recalibrates in regular intervals saving cost and time.

<EE>

Energy efficiency - a ventilation system seems efficient just due to a high heat recovery rate. In fact, the ratio of the energy spent and the attained heat recovery rate are rather decisive for the rating - the so called electrical energy efficiency. Thanks to the high density, a consumption-optimized air handling unit design and the latest heat exchanger technology, these ventilation systems attain excellent values referring to heat recovery as well as to energy efficiency.

CleanSafe

The principle of CleanSafe guarantees a nearly impossible pollution capability of our distribution system due to technical plane surfaces and in addition a troublefree cleaning concept, for which an independent testing institute has confirmed convincing results.

refresh

**In need of some fresh air in existing buildings?
The unique comfort ventilation for the energetic refurbishment of existing buildings.**

In need of some fresh air? More information about the company, about the intelligent technology of the Pluggit comfort ventilation for new buildings and refurbishment and information regarding references and regional contacts can be found at www.pluggit.com or as a dialogue at www.lueftungsblog.de



In need of some fresh air?

Pluggit GmbH | Valentin-Linhof-Str. 2 | DE-81829 München | Telefon +49 (0)89 41 11 25-0 | Fax +49 (0)89 41 11 25-100
www.pluggit.com | www.lueftungsblog.de

